

# JGA12-N30

## Specification:

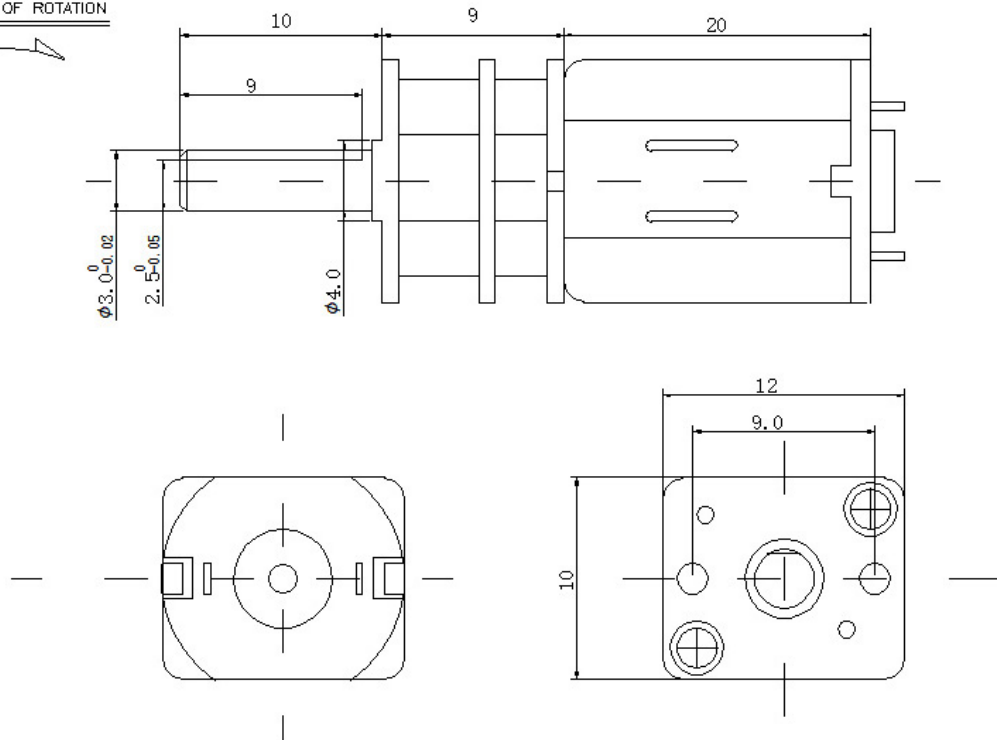
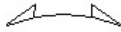
N30 12mm Micro Gear Motor 3mm Diameter Shaft 6v 12v DC volt More Speed

- Rated Voltage: DC6V  
Speed:2000rpm,1000rpm,500rpm,333rpm,200rpm,100rpm,66rpm,47rpm,40rpm,33rpm,26rpm
- Rated Voltage: DC12V  
Speed:4000rpm,2000rpm,1000rpm,666rpm,400rpm,200rpm,133rpm,95rpm,80rpm,67rpm,52rpm

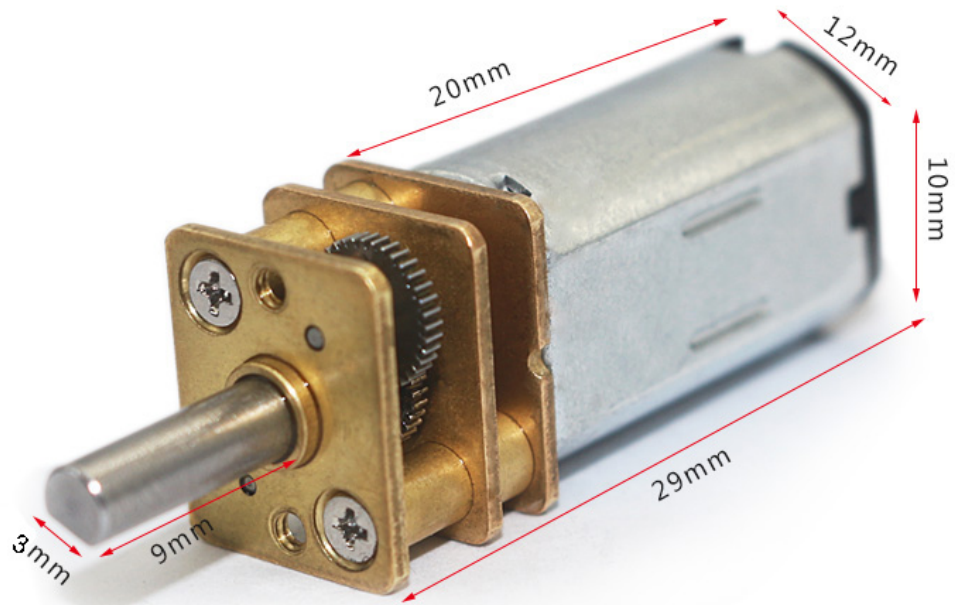
## Drawing:

N30 Micro Gear Motor

DIRECTION OF ROTATION



## Details of this motor:



**Datasheet:**

Reduction ratio	Rated Volt	No Load		AT Load			STALL	
		SPEED	CURRENT	Torque	SPEED	Current	TOGQCE	CURRENT
	V	RPM	mA	KG.cm	RPM	mA	KG..CM	mA
5	6	2000	25	0.02	1429	120	0.05	300
10	6	1000	25	0.05	714	120	0.1	300
20	6	500	25	0.1	357	120	0.2	300
30	6	333	25	0.15	238	120	0.3	300
50	6	200	25	0.25	143	120	0.5	300
100	6	100	25	0.5	71	120	1	300
150	6	66	25	0.75	47	120	1.5	300
210	6	47	25	1	34	120	2	300
250	6	40	25	1.25	29	120	2.5	300
298	6	33	25	1.5	24	120	3	300
380	6	26	25	2	19	120	3.5	300
5	12	4000	27	0.04	2857	220	0.1	550
10	12	2000	27	0.1	1429	220	0.2	550
20	12	1000	27	0.2	714	220	0.4	550
30	12	666	27	0.3	476	220	0.6	550
50	12	400	27	0.5	286	220	1	550
100	12	200	27	1	143	220	2	550
150	12	133	27	1.5	95	220	3	550
210	12	95	27	2	68	220	Ban locked	550
250	12	80	27	2.5	57	220		550
298	12	67	27	3	48	220		550
380	12	52	27	3.8	37	220		550



**Maggie lee**

Sales Manager | Internationale Sales

[Sales@aslongmotor.com](mailto:Sales@aslongmotor.com)

15818723921